

Knowledge Organiser

Years 4

Subject: Science Main Learning: Electricity

Key knowledge

Know what electricity is and why it so important in our lives

Know about common appliances that run on electricity

Know how to construct a simple series electrical circuit

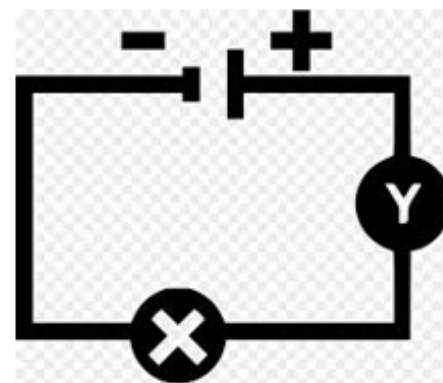
Identify and name the basic parts of the circuit, including cells, wires, bulbs, switches and buzzers

Know that a switch opens and closes a circuit

Know about some common conductors and insulators

Vocabulary

circuit	Is a completed path through which an electrical current flows
conductor	Is an object or type of material that allows the flow of an electrical current in one or more directions
insulator	Is a material whose internal electric charges do not flow freely
battery	Is a device that stores chemical energy and makes it available in an electrical form
cells	An electrical cell is a device that is used to generate electricity
appliance	Is a device that uses electricity to perform a function



Prior Knowledge –